



SERVICE PARTS LIST

BULLETIN NO.
54-05-0153

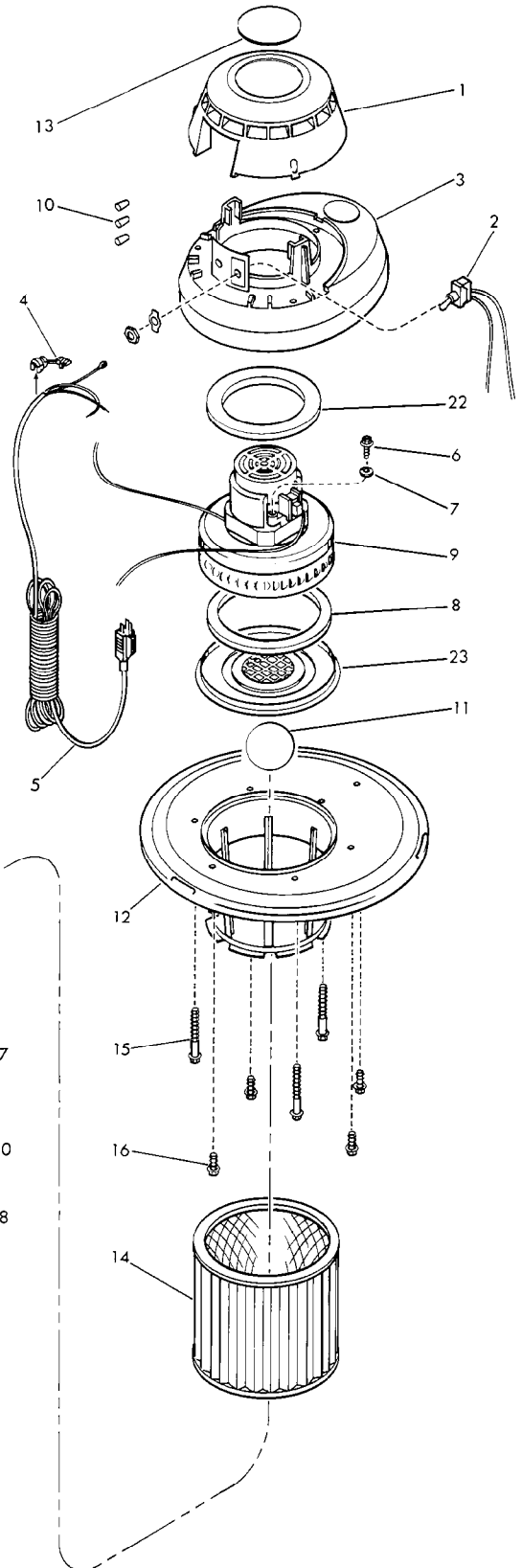
SPECIFY CATALOG NO. AND SERIAL NO. WHEN ORDERING PARTS		REVISED BULLETIN	DATE
10 GALLON WET OR DRY VACUUM CLEANER		54-05-0152	Sept.'88
CATALOG NO. 8950	STARTING SERIAL NO. SERIES 4	WIRING INSTRUCTION	

EXAMPLE:

00	0
----	---

 Component Parts (Small #) Are Included
 When Ordering The Assembly (Large #).

FIG.	PART NO.	DESCRIPTION OF PART	NO. REQ.
	1	Housing Cap	(1)
	2	Switch	(1)
★	3	Motor Housing	(1)
	4	Strain Relief Bushing	(1)
	5	Power Cord	(1)
	6	#10 x 3/8" Slit. Hex Hd. Ground Screw	(1)
	7	#10 Split Ring Lockwasher	(1)
★	8	Motor Bottom Gasket	(1)
★	9	Motor	(1)
	10	Wire Connector	(3)
	11	Ball Float	(1)
	12	Plastic Cover Lid	(1)
★	13	Service Nameplate	(1)
★	14	Cartridge Filter	(1)
★	15	#10 x 3-1/2" Self-Tapping Slit. Hex Hd. Screw	(3)
★	16	#10 x 1" Self-Tapping Slit. Hex Hd. Screw	(4)
	17	Buckle	(3)
★	18	#10 x 1/2" Slit. Hex Hd. Screw	(3)
	19	Handle Package (2Handles and 4 Screws)	(1)
	20	Tank	(1)
	21	Inlet Fitting	(1)
★	22	Motor Top Gasket	(1)
★	23	Motor Plate	(1)
★		Danger Label	(1)



MILWAUKEE ELECTRIC TOOL CORPORATION
 13135 W. LISBON RD., BROOKFIELD, WI 53005